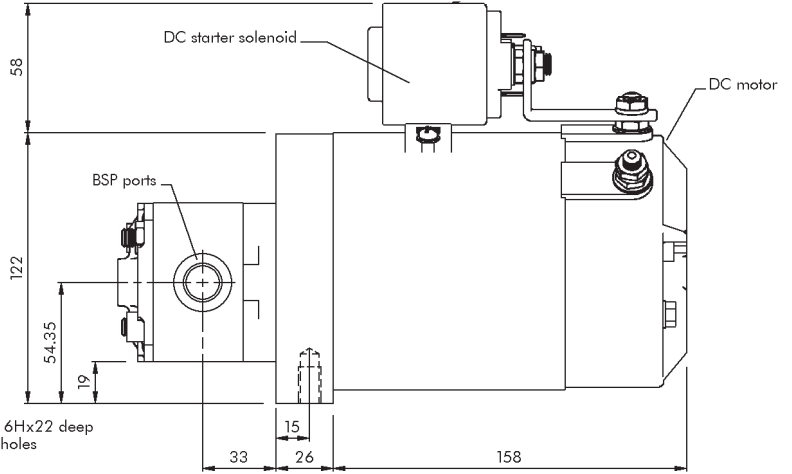
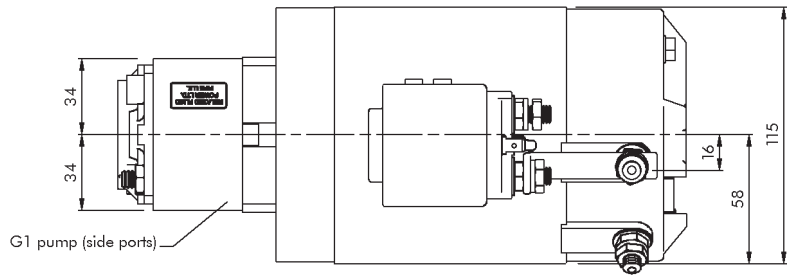
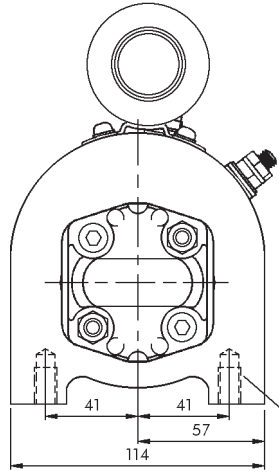


HYDRAULIC DC MOTOR/PUMP UNITS

Related Fluid Power Ltd. • Cuparmuir • Cupar • Fife • KY15 5SL • UK
T: +44 (0)1334 655600 • F: +44 (0)1334 650006 • E: sales@relatedfluidpower.com

DC Motor/Pump Unit

(example drawing)



ORDERING EXAMPLE (as coded below)

Requirements: 24Vdc low duty motor, solenoid assembly, 0.26cc/rev pump, BSP side ports, weather proof motor cover.

Ordering Code

Z W 1 2GXW A26 G - * * * * *

System code

Adaptor plate

- 1 - Group A and B pumps
- 2 - Group C pumps

DC Motor assembly

- 1 - 12V
- 2 - 24V
- 3 - 36V
- 4 - 48V
- 7 - 72V
- 8 - 80V
- A - Std duty motor
- B - Heavy duty motor
- C - Std duty motor, thermal protection
- D - Heavy duty motor, thermal protection
- E - Fan cooled motor
- F - Fan cooled motor, thermal protection
- G - Low duty motor
- H - Low duty motor, thermal protection
- - A - Std solenoid switch (single pole)
- - B - Heavy duty sol. switch (single pole)
- - C - Std sol. switch (double pole)
- - D - Heavy duty sol. switch (double pole)
- - X - None
- - - W - Weather proof motor cover
- - - X - None

Pump group & displacement

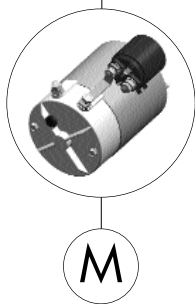
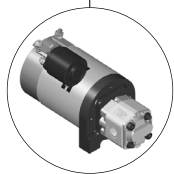
Pressure balanced:

Group	Code	cc/rev
1/4" BSP		
0.25	A19	0.19
	A26	0.26
	A32	0.32
	A38	0.38
	A51	0.51
1/4" BSP		
0.5	B63	0.63
	B88	0.88
	B10	1.00
3/8" BSP		
1	C11	1.10
	C13	1.30
	C16	1.60
	C21	2.10
	C27	2.70
	C32	3.20
	C37	3.70
	C42	4.20
	C48	4.80
	C58	5.80
	C80	8.00

Internal code

Ports
G - BSP

Series
W - Motor/Pump



M

After selecting your above power unit or if you are having trouble, please contact us by fax or phone and we will assist with your enquiry or endeavour to help you produce a unit to meet your requirements. Whilst every endeavour has been made to ensure accuracy, this data sheet cannot be considered to represent part of any contract, whether expressed or implied. We reserve the right to amend specifications at our discretion.

